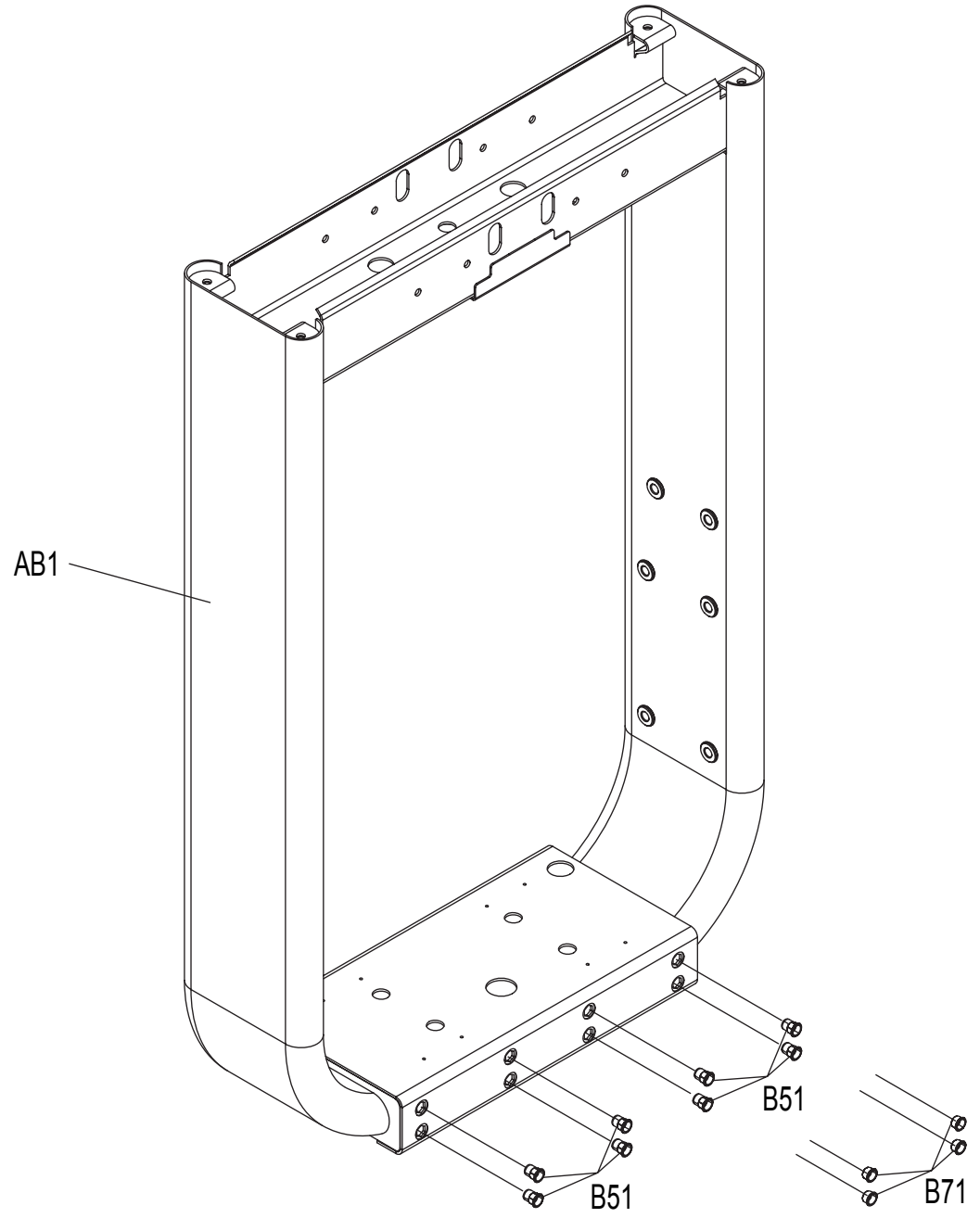


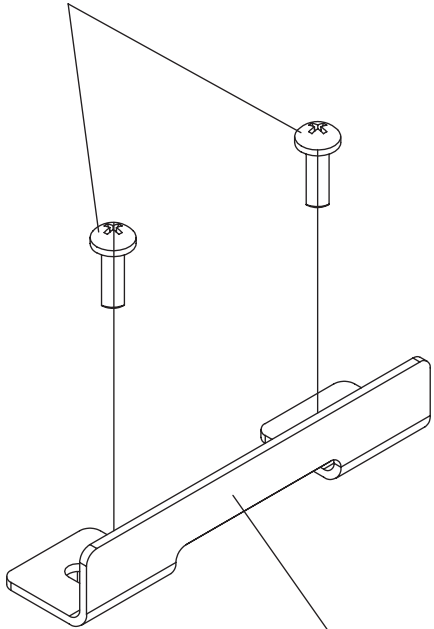


DRAWING NO			
PART NAME	Frame Set		
PART NO	100990	REV	A
APPROVE	GUIBIN	DATE	20101214



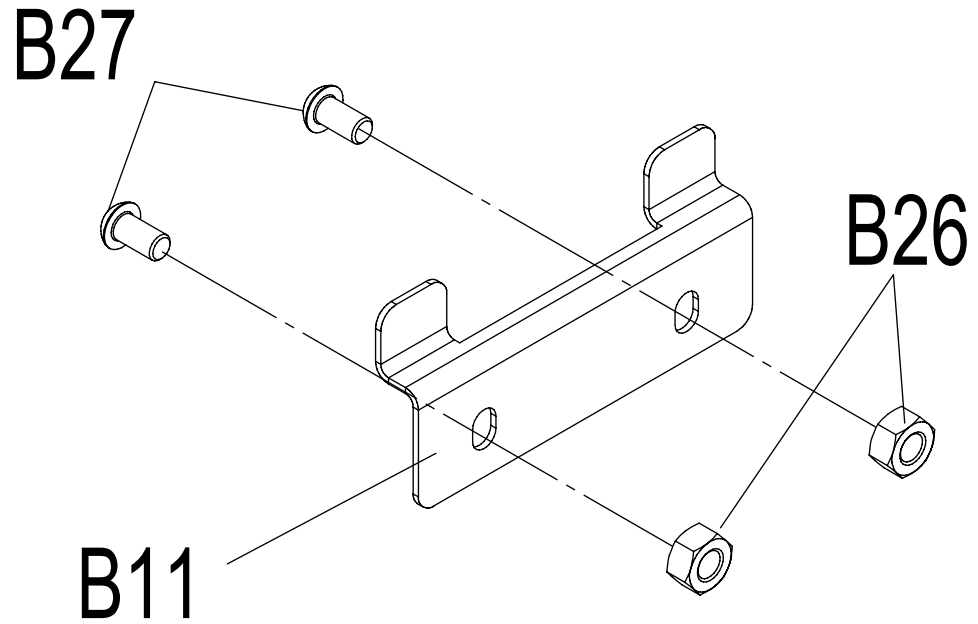
DRAWING NO			
PART NAME	Down Cover;Fixing Frame		
PART NO	1000106171	REV	A
APPROVE	Cindy	DATE	20110111

**B28**

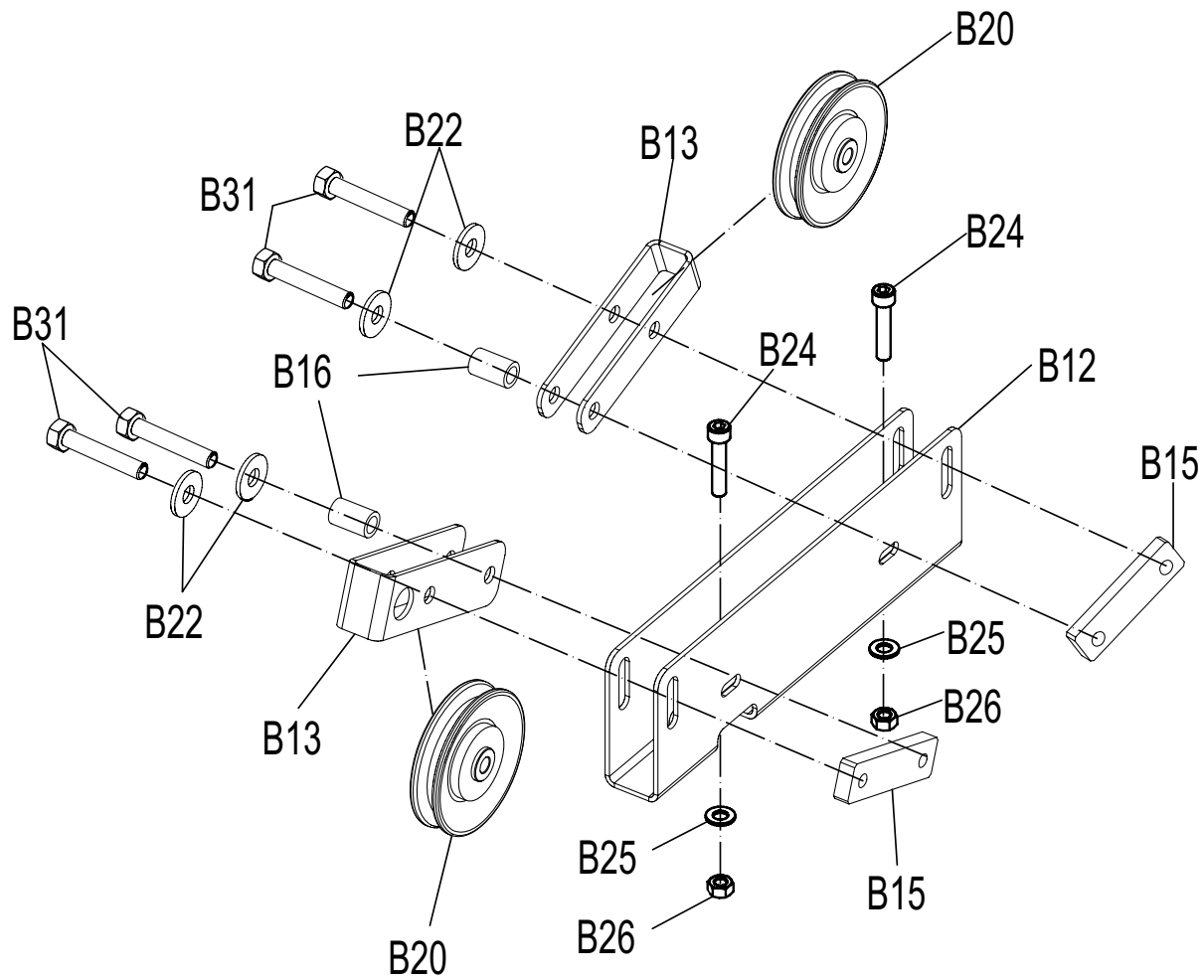


**B10**

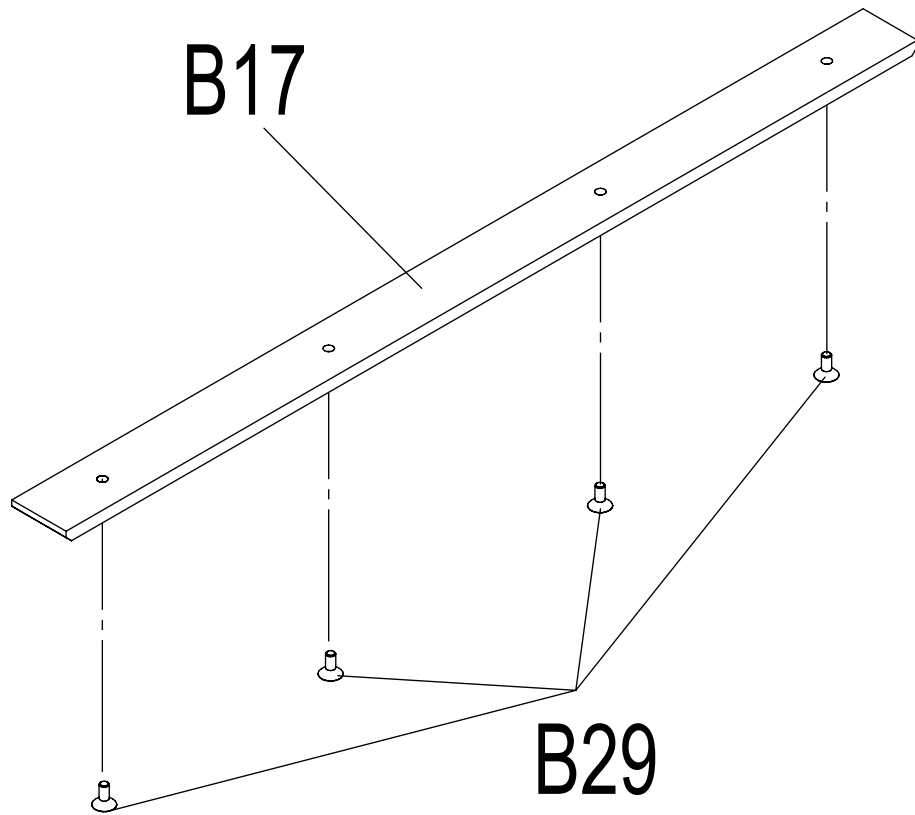
DRAWING NO			
PART NAME	UP Cover;Fixing Frame		
PART NO	1000104015	REV	A
APPROVE	Kevin	DATE	20101214



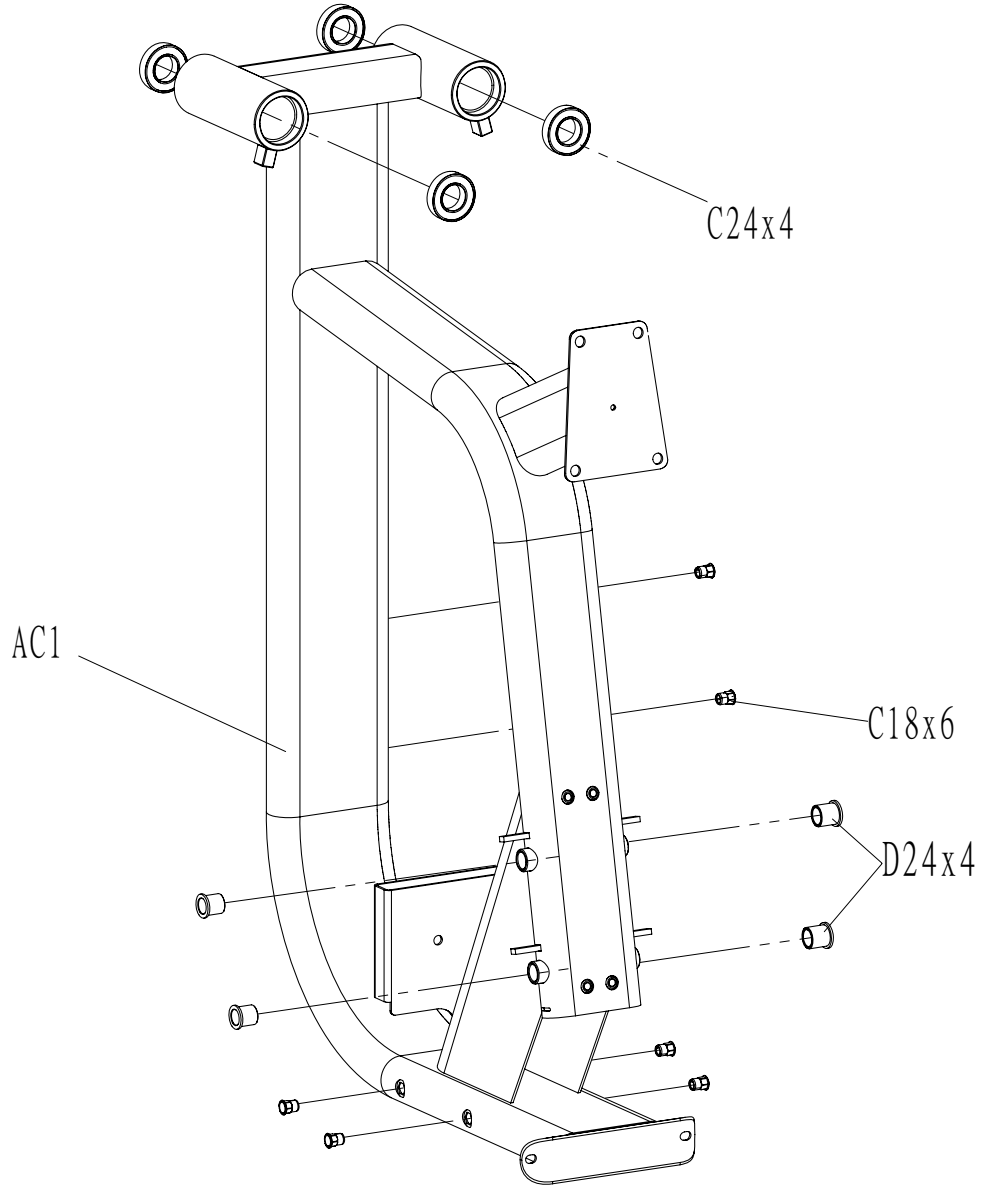
DRAWING NO			
PART NAME	Fixing Base;Slide Pulley		
PART NO	1000108735	REV	A
APPROVE	Kevin	DATE	20101214



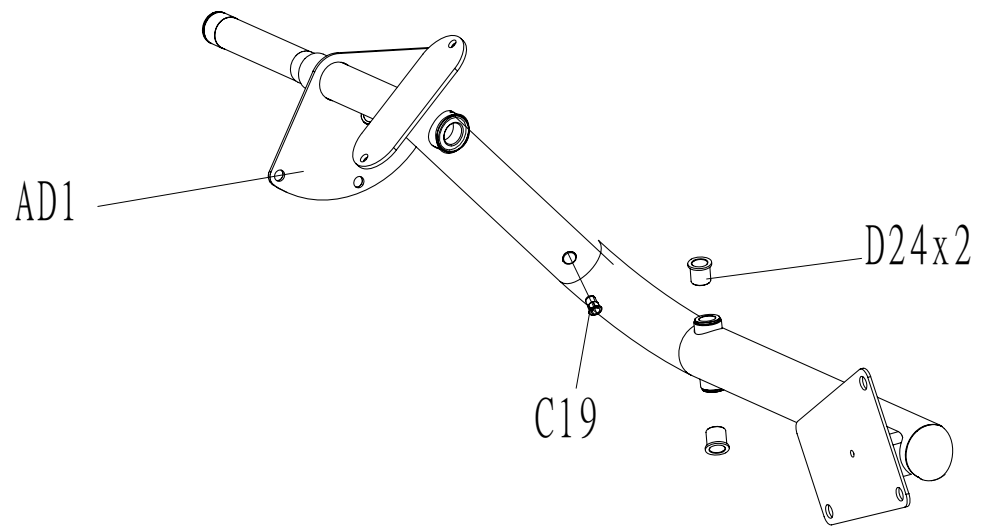
DRAWING NO			
PART NAME	Fixing Plate;D		
PART NO	1000108348	REV	A
APPROVE	GUIBIN	DATE	20101214



DRAWING NO			
PART NAME	Base Set		
PART NO	1000106172	REV	A
APPROVE	Cindy	DATE	20101221

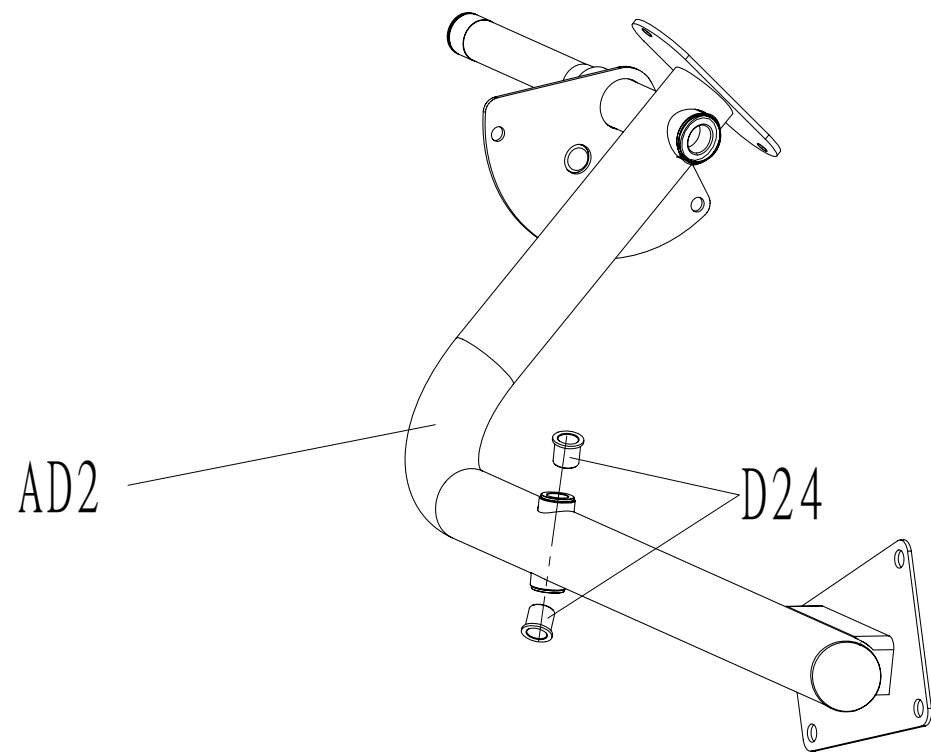


DRAWING NO	
PART NAME	Peadel Arm Set;R
PART NO	1000106173
APPROVE	Cindy
DATE	20110111
	REV A



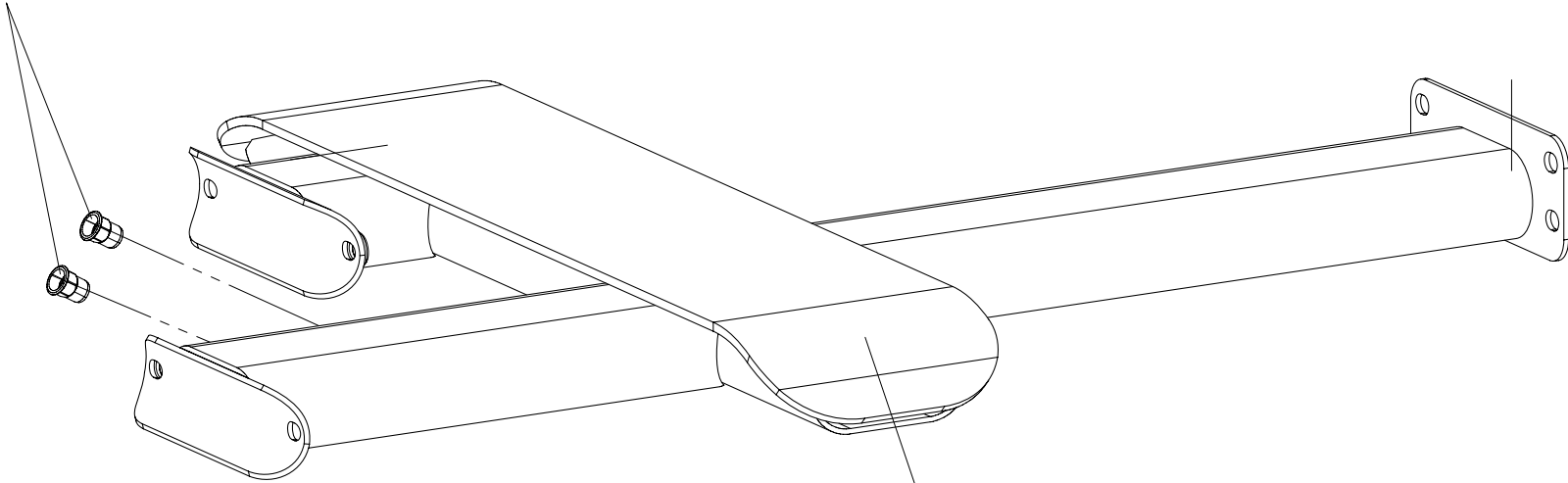


DRAWING NO	
PART NAME	Peadel Arm Set;L
PART NO	1000106176
APPROVE	Cindy
DATE	20110111
	REV A



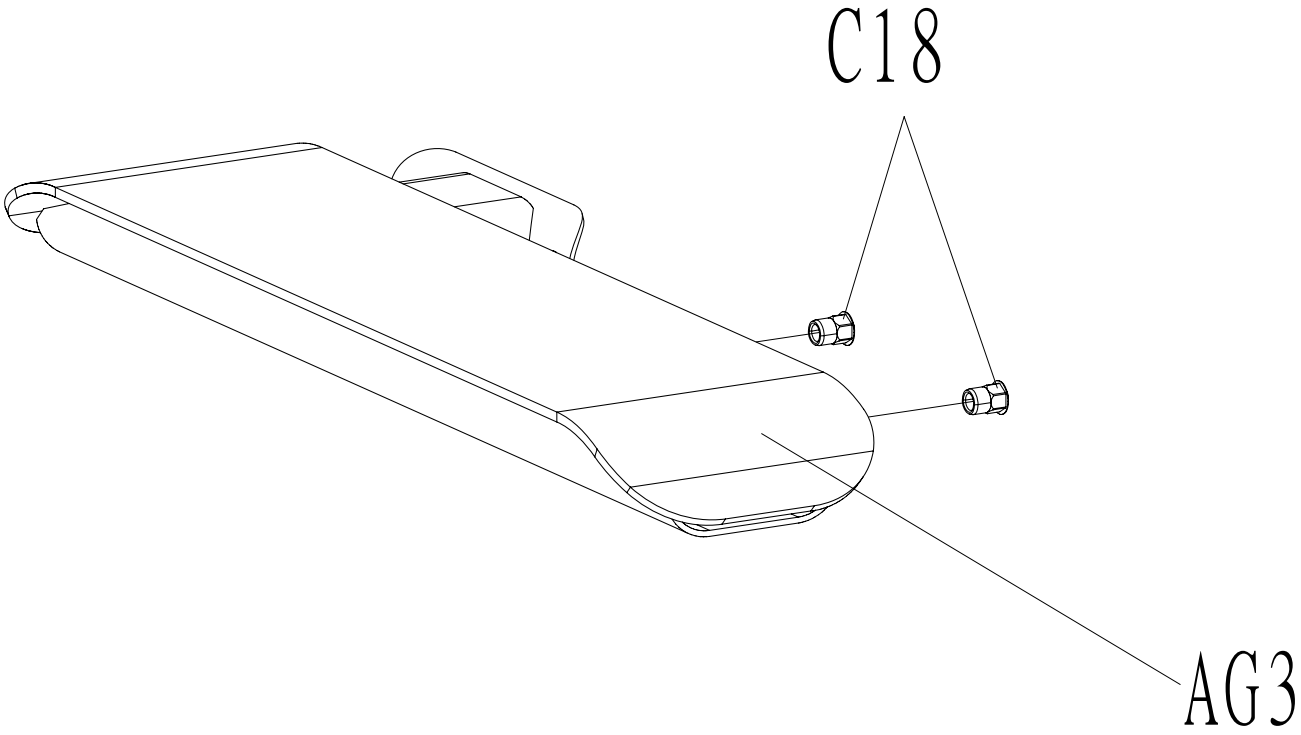
DRAWING NO			
PART NAME	Peadel Set;R		
PART NO	101011	REV	A
APPROVE	Cindy	DATE	20110111

C18

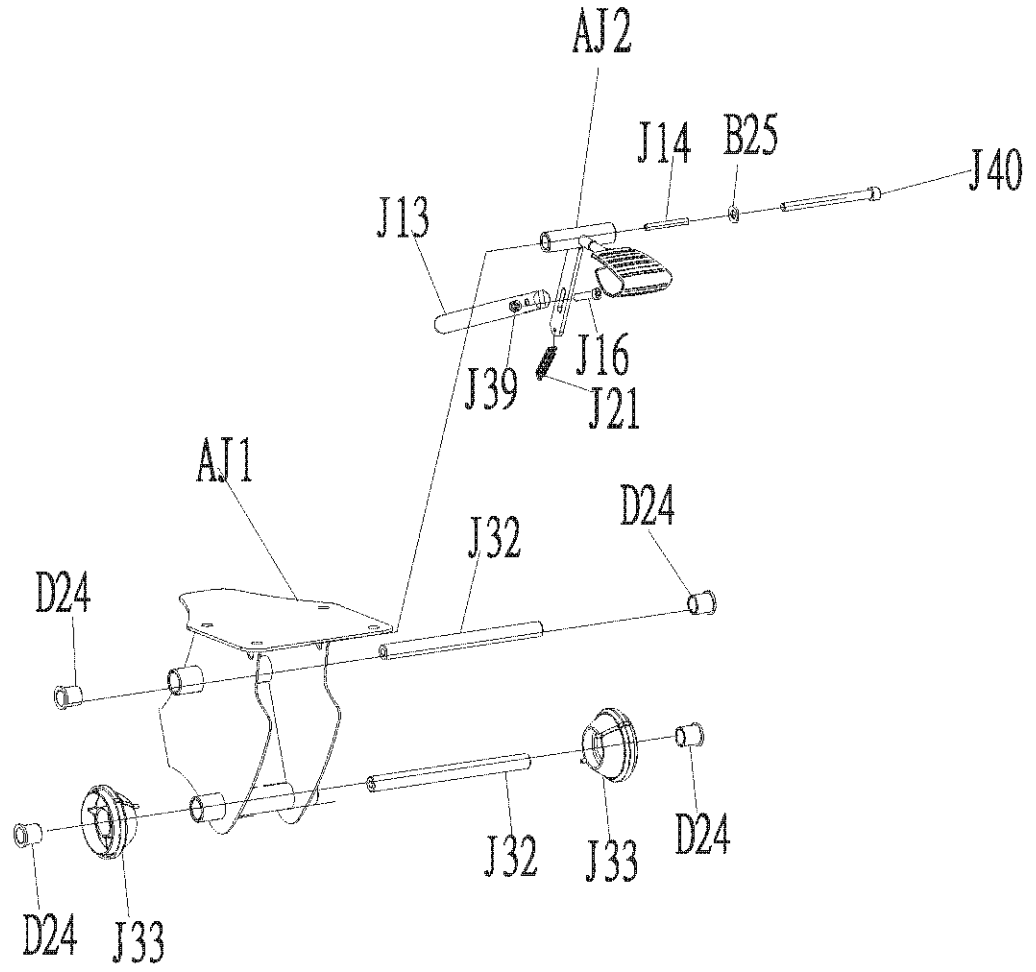


AG2

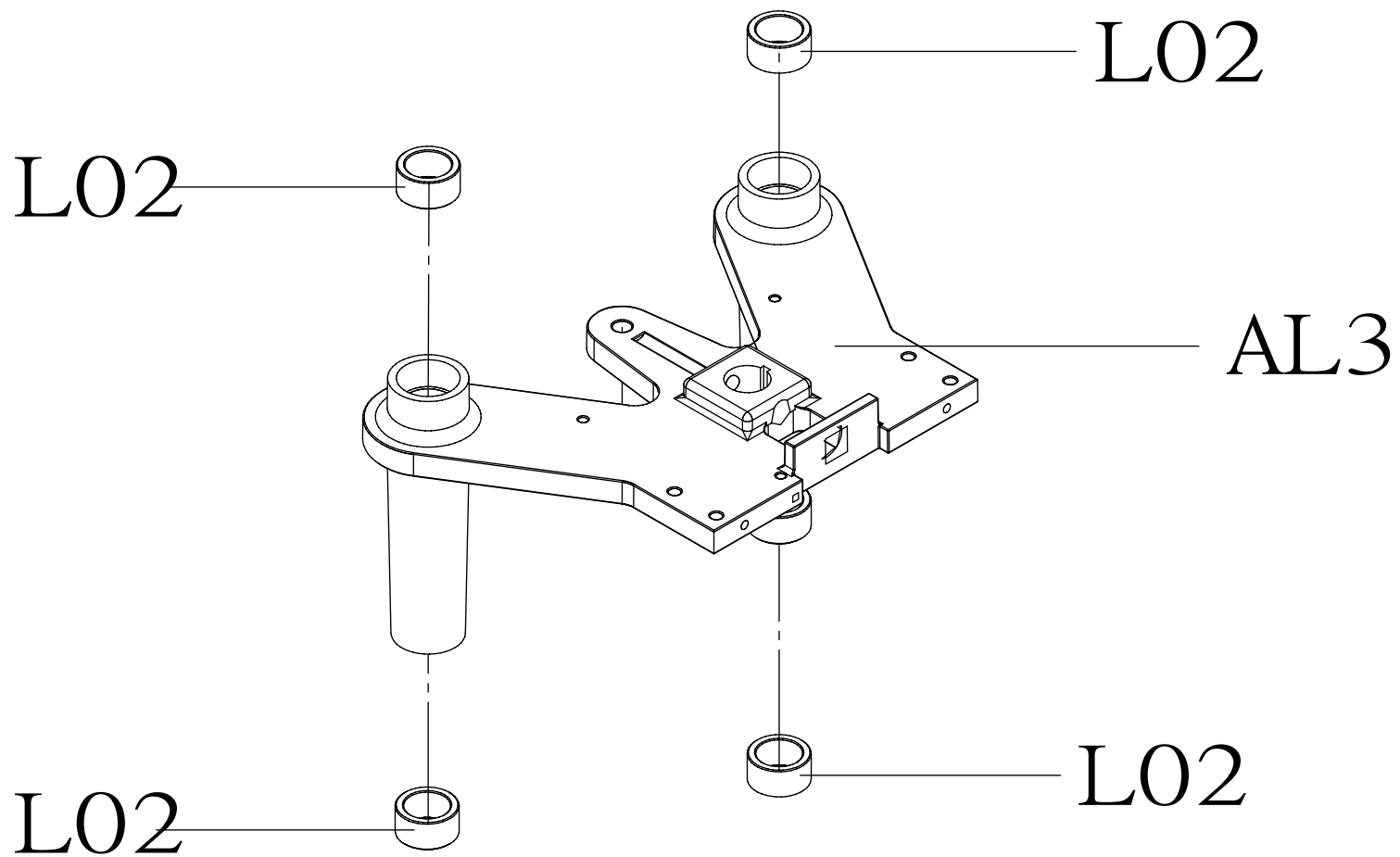
DRAWING NO			
PART NAME	Peadel Set;L		
PART NO	101017	REV	A
APPROVE	Cindy	DATE	20110111



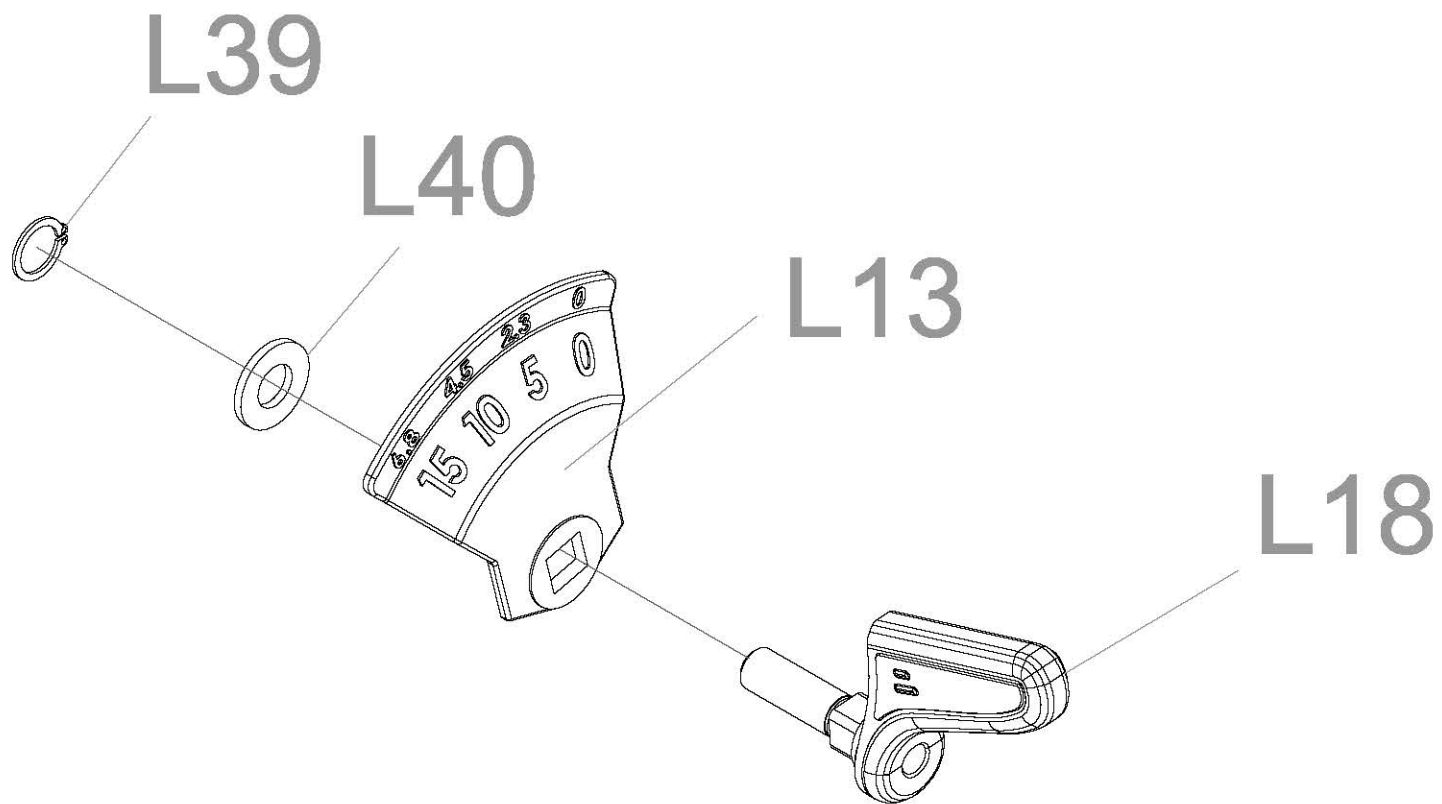
DRAWING NO			
PART NAME	Seat ADJ Set;Down;Semi-Assy		
PART NO			REV A
APPROVE	Cindy	DATE	20110111



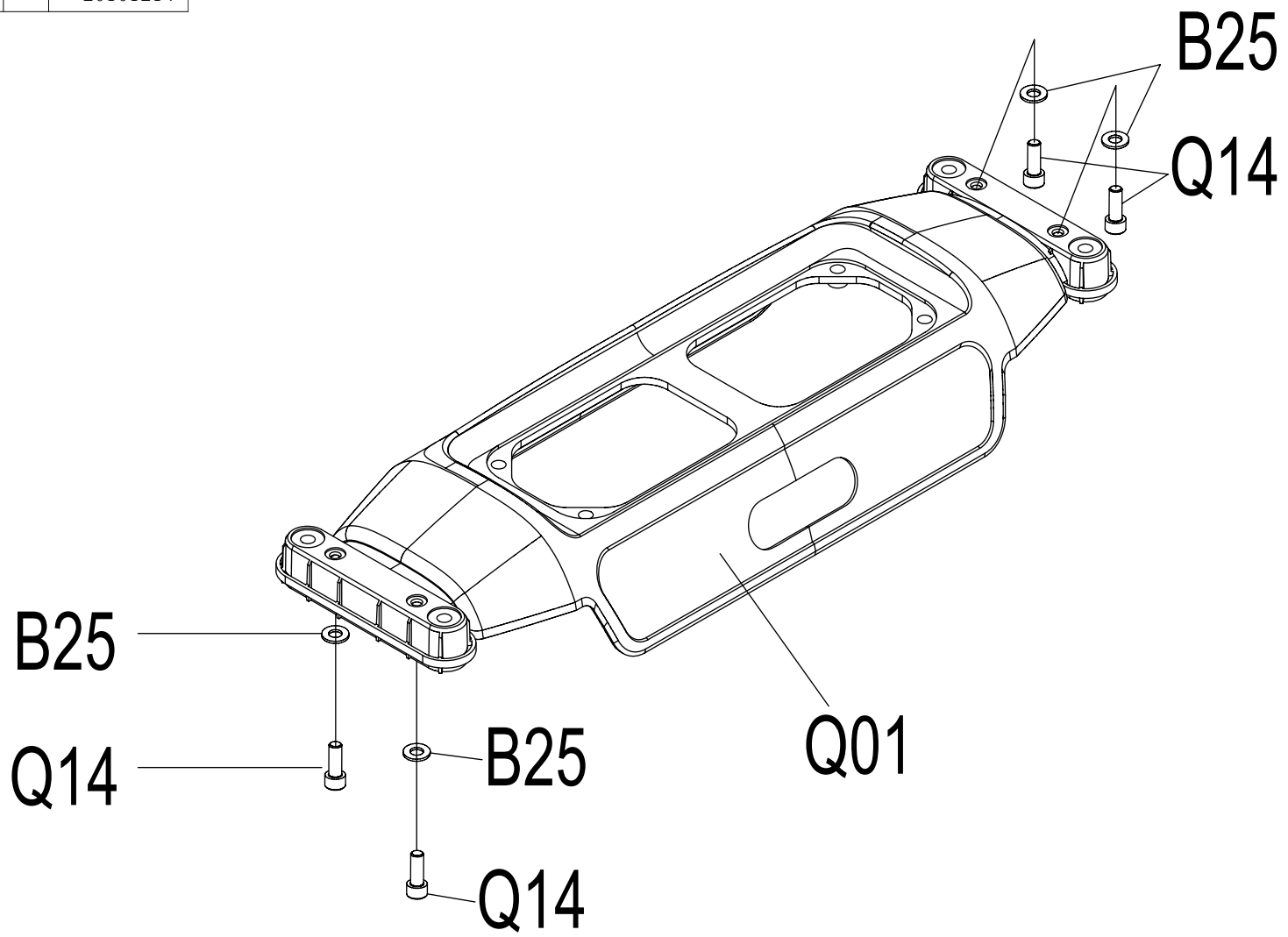
DRAWING NO			
PART NAME	Support Base;Incremental Weight		
PART NO	1 000213066	REV	A
APPROVE	Kevin	DATE	20101214



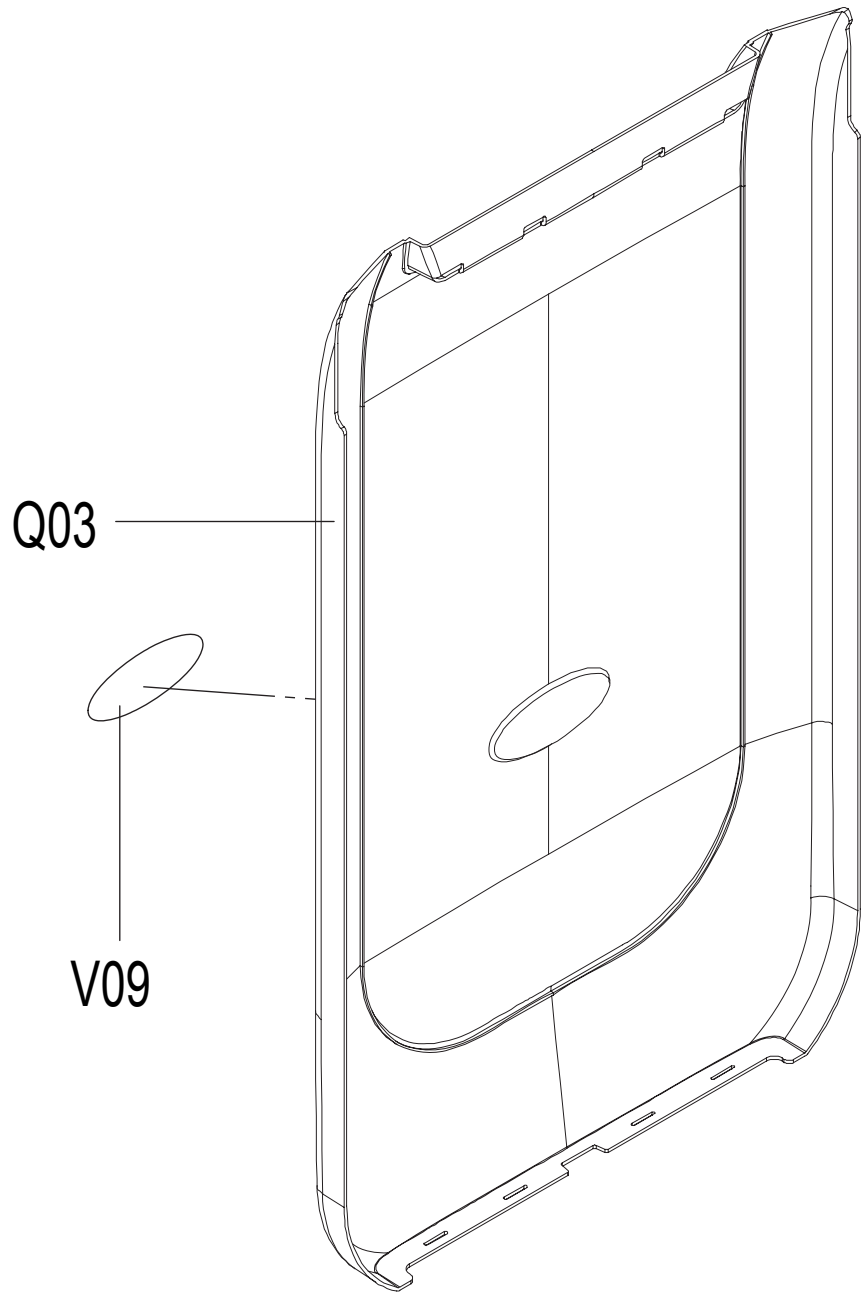
DRAWING NO			
PART NAME	Dial		
PART NO	1000106085	REV	A
APPROVE	Kevin	DATE	20101221



DRAWING NO			
PART NAME	Cover;Up		
PART NO	1000108738	REV	A
APPROVE	GUIBIN	DATE	20101214

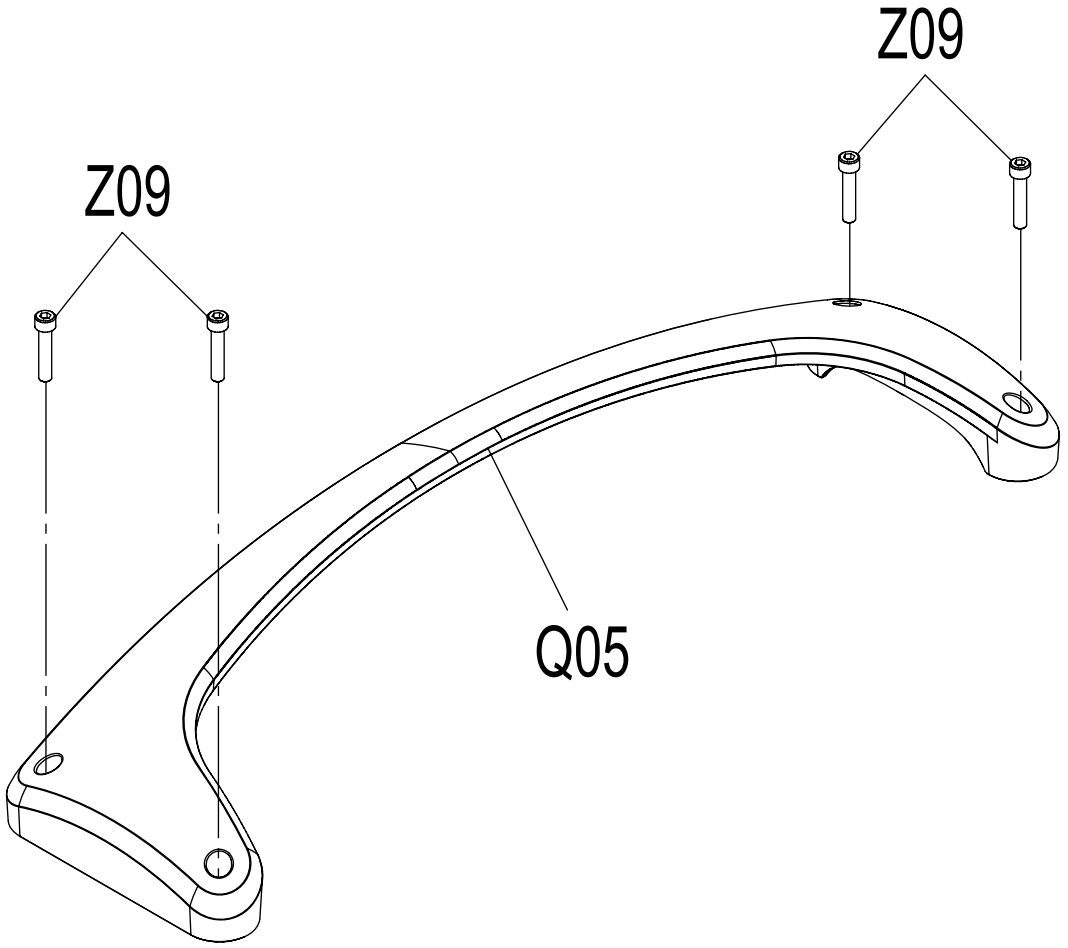


DRAWING NO			
PART NAME	Cover;Rear		
PART NO	1000108343	REV	A
APPROVE	GUIBIN	DATE	20101214

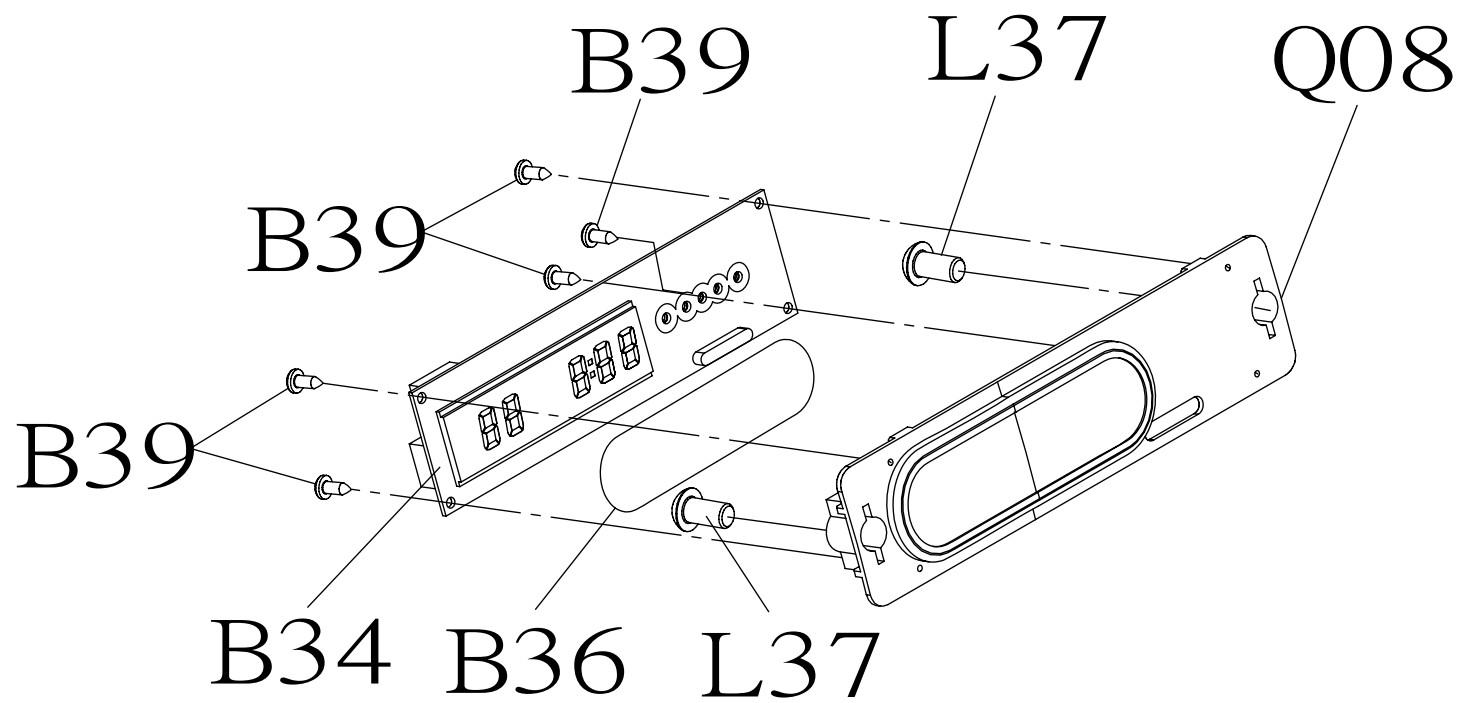




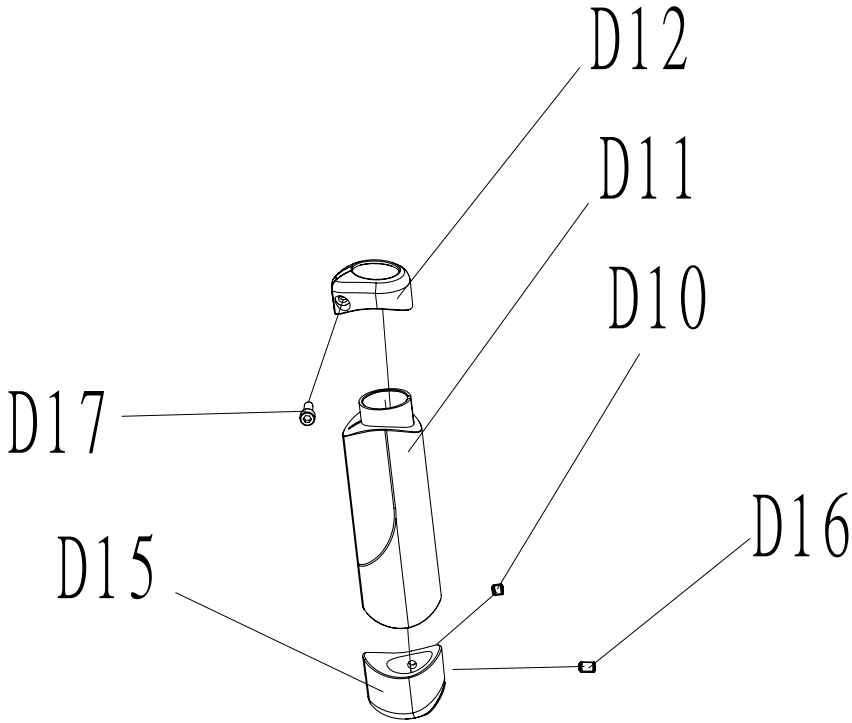
DRAWING NO	
PART NAME	Grip;Up Cover
PART NO	1000106192
APPROVE	Cindy
DATE	20101214
REV	A



DRAWING NO			
PART NAME	Fixing Base		
PART NO	1000108347	REV	A
APPROVE	GUIBIN	DATE	20101214



DRAWING NO			
PART NAME	Grip Set;Peadal Arm		
PART NO	1000106196		
APPROVE	Cindy	DATE	20110111
		REV	A



Bubble#	OEM Number	Description	Notes
1	100990	Weight Stack Frame Set GM42-KM	
10	1000320692	PEDAL L painting NA Iced Sliver GM42-K	
12	1000204186	Top Weight Plate Set	
13	1000106085	Incremental Weight Pin Set GM41(service)-1	
15	1000108343	Weight Stack Shield Rear ABS GM40(service)	
16	098986	Grip Up Cover ADC12 GM40	
17	1000108347	Repetition Counter Set PC GM40(service)	
18	1000106196	Grip Set ADJ Leg Pad GM42(service)	
2	1000106171	Lower Fixing Plate Weight Stack Painting GM40-KM	
3	1000319468	Upper Cover Set Fixing Frame Iced Slive	
4	1000108735	Double Pulley Frame Set GM40-K	
5	1000108348	Accent Plate Set D PP GM40(service)	
6	1000106172	Seat Frame Set GM58-KM(service)	
8	1000321044	pedal arm set left Iced Sliver GM58-KM	
AD4	1000321043	Handle Set Iced Sliver GM58-KM Servic	
AG1	1000321045	Disassembly connect set Iced Sliver GM	
AJ1	1000321046	Seat ADJ Set Iced Sliver GM58-KM Serv	
AJ2	1000211102	Seat Grip Set	
AL4	1000092654	ADJ Base Three Incremental Weight Plate	
B13	098978	Fixing Plate Pulley Right SPHC GM40	
B15	098970	Fixing Block Pulley SPHC GM40	
B16	1000108501	Bushing CON Rod Peadel Arm painting GM40	
B20	073572	Pulley 90mm	
B22	020465-AB	Washer Flat M10.2X25PX2.0T Chromed	
B23	1000105174	Nut Nylon M10x1.5P G12.9 CHM	
B24	004479-ABX	Screw Hex Socket Round M8x1.25Px15L Cr A	
B25	005145-AC	Washer Flat 8.2x19.0x2.0T Chromed	
B26	004929-00	Nut Nylon M8x1.25P Chromed	
B28	020185-00	Screw Phillip BH Tapped 4x10L	
B29	1000103438	Screw Cross BH Tapped 4x10L A Class ke	
B30	073573	Pulley 115mm	
B31	1000108188	Screw HH M10x1.5Px55L MT CST CHM BP G12.	
B32	1000096026	Fixing Base Sensor ABS GM40	

B33	1000096531	Speed Sensor Wire 1200mm(2.5-5P) GM40	
B35	020112-A	Screw Hex Socket Round M10x1.5Px50L(Tooth15)	
B36	1000096575	Overlay Manipulate GM40	
B37	004870-00	Screw Plain Tapping Rail Lock 5x15L	
B38	040816-A	Screw Phillip BH Tapped 3x8L	
B39	020196-A	Screw Phillip BH Tapped 3x6L Zn-BL	
B51	1000105068	RVN HX NKHS-10 YZN	
B58	1000319392	Stopper Pulley painting Iced Sliver GM	
B62	005811-00	Cable Tie Nylon Black 160L	
B66	001679-00	Tie Strap Adhesive Nylon 66 HC-101 W	
B71	1000104003	Cap Insert Nut GM40-KM	
C15	1000096013	Cap Two ABS GM40	
C17	1000098050	Pulley Cover Small Base ABS GM40	
C19	1000105069	RVN HX NHS-610-3.0 YZN	
C24	004079-A3	Ball Bearing 6006ZZ 30X55X13T TPI	
C26	1000104027	Fixing Plate Base GM40	
C27	1000441318	Cover1 Chest Pad ABS/PA757 Deep Grey Pa	
C30	1000097206	Screw SH M8X1.25PX25L HS CHM BP	
C31	005130-00	Washer Flat 8.4x15.5x1.6T Chromed	
C32	099030	ADJ Plate Seat ZG20 GM40	
C35	004855-AC	Set Screw M6X1.0PX4L	
C38	1000104669	Screw FH M6x1.0Px25L HS CST CHM 8.8Class	
C43	1000107219	Pulley Cover Small Base ABS GM44-KM	
D06	1000321042	Fixed chipset cam Iced Sliver GM58-KM	
D12	096208	Adjustment Handle Lower Stopper Ring	
D15	096209	Cap Grip Peadal Arm ADC12 GM42	
D16	020329-00	Set Screw M6X1.0PX12L	
D17	1000108793	Screw RND M5x0.8Px10L HS CHM BP G8.8	
D18	1000201208	Plastic Cover ABS OR GM46	
D23	1000317876	End Cap PP Diam.X50.8	
D24	1000096014	Bushing 15x19x20T GM40	
D25	1000306186	Cam Steel Rope Big VHMWPE GM58	Redesigned cam see service bulletin G7-S21 Carr
D26	1000102431	Stopper Rubber GM58-KM	
D29	1000216133	BALANCE PLATE - 10.4KG - - HT200	

D32	001528-B	Stopper Bolt Pedal Arm Rubber
D33	1000104723	Washer FLT 6.2x13.0x1.0t CHM
D34	1000102903	Washer Flat 6.4x12x1.6t Cr Plate
D35	1000109771	Screw RND M8x1.25Px12L HS CHM BP G8.8
D37	1000386459	Screw Hex Head M8x1.25Px25L Chrome Bl
D38	1000108806	Screw RND M10x1.5Px15L HS CHM BP G12.9
D39	020294-ABX	Screw BH M10x1.5Px20L Chromed
D40	1000384117	Stopper Plate Cam Stopper GM41-KM L
D41	004349-A	BOLT BH M3X25 ZNC
D42	066570-00	Nut NLK M4X0.7P BZN
D43	1000201046	Washer FLT 4.3X8X0.8T SPHC CHM NA
F10	1000320956	Movable Pulley Fixing Set Iced Sliver
F12	1000106209	Steel Rope1 Exrta-Work Steel Cable Head
F13	1000106210	Steel Rope Two Exrta-Work Steel Rope Hea
F14	1000212387	Fixing Plate Cable Head - 45# BED GM41
F15	1000212396	Fixing Plate Cable Head - 45# BED GM46
G16	1000095584	Foot Pad Pedal Set PP GM42
G17	1000319422	Frame Fix Plate painting Iced Sliver
G18	1000096017	Rubber Pad Fixing GM40
G30	1000210339	Rubber Pad Left Pedal GM42-KM
G31	1000210340	Rubber Pad Right Pedal GM42-KM
J13	099035	Axle Pull Pin 42CrMo GM40
J14	099036	Axle Sleeve Pull Pin 42CrMo GM40
J16	1000200876	Screw Round M8x1.25Px25L Hex Socket G12.
J18	1000106178	CON Rod Seat ADJ ADC12 GM40(service)-6
J20	1000092642	Spring RCL 4130CrMo Spray teflon GM40
J21	098972	Spring EXT SWP ZNC GM40
J30	1000096165	Plastic Cover Seat Pad GM40
J32	096046	Axle CON Rod 45# GM40
J33	1000097385	Stopper Sleeve CON Rod Axle ABS GM40
J35	096216	Stopper Sleeve WASHER GM40
J39	004924-00	Nut Nylon M5x0.8P Black Zinc
J43	1000103444	Cover Seat GM40-KM
J44	005330-00	Tinnamen Nut

J45	004636-AD	Screw BH 4X15L SM PH CHM POT
K01	1000200981	Guide Rod Weight plate
K02	099059	ADJ Rod Weight Plate 20# GM40
K03	1000092375	Weight Plate 10 P SPHC GM48
K05	099055	Fixing Block UP Guide Rod 45#GM40
K06	1000096999	Cover Front Rubber Black GM40
K07	1000202352	Cushion Guide Rod
K09	1000102915	Circlip E Type E-15 Cr Plate
K12	019151-AA	Rubber Bumper Weight Stack
L02	1000092646	Axle Sleeve Guide Rod 23X20X15L GM40
L04	099053	ADJ Base R Incremental Weight Plate GM40
L07	099056	U Cover IncrementalWeightPlate 20# GM40
L12	099052	ADJ Base L Incremental Weight Plate GM40
L16	1000092641	Axle Sleeve Weight Plate Rubber GM40
L17	099064	Sleeve D IncrementalWeight Plate POM GM4
L20	099063	Cover Incremental Weight Plate PC GM40
L21	1000096021	Screw SET M10X1.5P
L30	1000319417	Fixing Rack Counte painting Iced Slive
L31	1000096022	Magnet Counte GM40
L32	1000096023	Half-moon Key 20# GM40
L33	1000092656	Nut HX M10X1.5PX10L SS41 CHM
L34	1000108803	Screw RND M5x0.8Px12L HS CHM BP G8.8
L35	1000108801	Screw RND M5x0.8Px15L HS CHM BP G8.8
L36	1000108804	Screw BH M5x0.8Px15L HS CHM BP G8.8
L37	1000104672	Screw BH M5x0.8Px10L HS CST CST CST CHM
L38	070571	Washer Flat 5.2X10.0X1.5T CHM
L39	1000102910	Circlip External C Type S-12 BED
L40	1000108910	Washer Flat 12.5x23x1.0t CHM
L41	1000102647	Screw Settle M5x0.8Px6L Top End BED
L51	005084-00	Washer Flat 5.3X10.0X1.0T Chromed
L59	1000372592	Adjustable Pin Set Weight plate GM40
Not Shown	ZMS4003228	Decal, QR, G7-S21 Lateral Raise
Not Shown	038449-00	Tool Clamp External C-Shaped
Not Shown	1000102460	Hardware Kit GM58-KM

Not Shown	1000110150	Hardware Kit Set(2)VM58-KM
Not Shown	ZMS4001255	Battery, AA for console
Not Shown	ZMD4007511	Iced Silver 2-Stage Touch-Up w/ Clear
Q02	098985	Cover Left-Fron limpид ABS GM40
Q04	098988	Cover Right-Front ABS/PA757 Limpид GM4
Q14	1000108805	Screw RND M8x1.25Px20L HS CHM BP G12.9
V02	1000232600	Warning Label - - - PC - -
V03	1000206252	Decal Weight Plate 10P GM40
V08	093501	Warning sticker small GM40-KM
V09	0000086226	Nameplate Motor Cover LOGO T5X-02
V11	1000108314	Illustration Decal Front GM58-KM
V12	1000108315	Illustration Decal Rear GM58-KM
Z01	004518-00	Screw SH M10X1.5PX75L HS CHM
Z02	004910-00	Nut NLK M10X1.5P CHM
Z03	005017-00	Washer Spring SW10 10.2X18.4X2.5T Chromed
Z04	1000104691	Screw RND M10x1.5Px30L HS G12.9 CHM BP
Z05	008523-B	Washer Arc M10x28x10.5T SS41
Z07	1000102912	Circlip External C Type S-30 BED
Z08	1000098556	Washer Wavy 30.5X39.2X0.4T
Z09	020081-00	Screw SH M8X1.25PX60L HS G12.9
Z19	1000102584	Screw Hex M10x1.5Px20L Cr Plate G12.9
11	Order Parts Separately	Seat Adj Frame Set Down Semi-Assy GM58-KM
7	1000106173	Arm Set Right GM58-KM
AB1	Part of Kit 1	Weight Stack Frame Painting GM42
AC1	Part of Kit 6	Seat Frame Painting GM58-KM
AD1	Part of Kit 7	Arm Right Painting GM58-KM
AD2	Part of Kit 8	Arm Left Painting GM58-KM
AG2	Part of Kit 9	Pedal Right Painting GM42
AG3	Part of Kit 10	Pedal Left painting GM42
AL3	Part of Kit 12	Incremental Weight Support Base-SA -
B10	Part of Kit 2	Down Cover Fixing Frame Painting GM40-KM
B11	Part of Kit 3	UP Cover Fixing Frame Painting GM40-KM
B12	Part of Kit 4	Fixing Base Slide Pulley Painting GM40-K
B17	Part of Kit 5	Fixing Plate D PP GM40



B34	1000096514	UCB Matrix GM40 H102S1.60	
D11	Part of Kit 18	Grip Pedal Arm wrap rubber GM42-KM	
D36	1000102905	Washer Flat 8.4x24x2.0t Cr Plate	
J22	See Pad Matrix	Chest Pad	
J40	1000097850	Screw SH M8X1.25PX95L HS CHM G12.9	
L01	096087	Weight Plate 3P HT200 GM41	
L13	Part of Kit 13	Dial GM41	
Q01	Part of Kit 14	Cover Up ABS GM40	
Q03	Part of Kit 15	Cover Rear ABS GM40	
Q05	Part of Kit 16	Grip Up Cover ADC12 GM40	
Q08	Part of Kit 17	Fixing Base PC GM40	
Q09	Part of Q06	Decal Plate U GM40	
10	101017	Pedal Frame Set Left GM42	Discontinued
14	1000106183	Upper Cover Set Weight Stack ABS GM40(service)-5	Discontinued - Includes decals (V11 & V12)
16	1000108345	Handle Weight Stack ADC12 GM40(service)	Discontinued - Order components
3	1000104015	Upper Fixing Plate Weight Stack Shield	Discontinued
8	1000106176	Arm Set Left GM58-KM(service)	Discontinued
9	101011	Pedal Frame Set Right GM42-KM	Discontinued
AD4	1000106175	Grip Painting GM58-KM(service)	Discontinued
AG1	1000106177	Connecting Frame Set Painting GM58-KM(ser	Discontinued
AJ1	1000102452	Seat Adj Frame Down Painting GM58-KM	Discontinued
B24	004479-AB	Screw SH M8X1.25PX15L HS CHM BP	Discontinued
B25	005040-AB	Washer Flat 8.4X15.5X1.6T	Discontinued
B29	004869-00	Screw Phillip Sink Tapped 4x10L	Discontinued
B58	1000104017	Stopper Plate Pulley Painting GM40	Discontinued
C27	1000099592	Fixing Base Chest Pad GM43	Discontinued
D06	1000106174	Fixing Plate Cam Painting SPHC GM58-KM(s	Discontinued
D23	1000099650	End Cap ABS combine 50.8 Tube GM50-KM	Discontinued
D29	1000098613	Balance Brick HT200 GM45	Discontinued
D37	1000203784	Screw SH 10XM6X31L HS CHM	Discontinued
F10	1000106088	Fixing Plate Pulley Painting GM46(servic	Discontinued
G17	1000104026	Fixing Plate Frame Painting GM40-KM	Discontinued
L30	1000104023	Fixing Rack Counte Painting GM40-KM	Discontinued
L40	049287-AC	Washer FLT 12.5X20.0X2.0T CHM	Replaced by 1000108910

L59	1000210654	Weight Stack Pin Set GM40	Discontinued
Not Shown	ZMS4000430	Touch Up Paint Silver G7	Discontinued
Q06	ZMS4000950	G7 Cupholder assembly\\ D/C, NO REPL: Part will show as order	Discontinued - This is a kit with Q06 & Q09 asser
V02	099103	Warning Sticker GM40	Discontinued